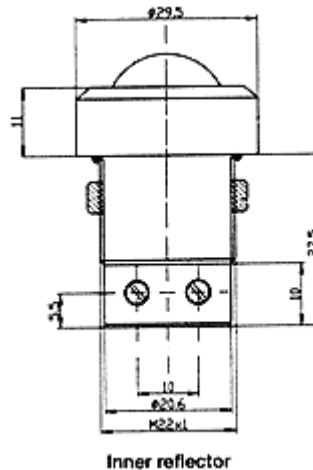


Product RFL 22501 SR 24

LED indicator
color red



product-catalog	LED indicator
color	red
Reflector color:	natural chrome
Reflector typ:	inner
part no	RFL 225 0 1 S R 24
voltage [V]	24-28 (AC/DC)
current [mA]	17 - 20
wavelength [nm]	645
rec. mounting hole \varnothing [mm]	22.5
panel thickness [mm]	max. 15
operating temperature:	-30..+70 °C
storage temperature:	-30 .. +90 °C
Protection class:	IP 67

20 mm Jumbo LED indicator with M22 metric thread body for easy front panel mounting; recommended mounting hole diameter 22.5 mm. Protection class IP67 at the front. Indicator with natural or black chrome metal reflector; mat chromed reflector on request. Panel thickness maximum 15 mm.

note

- all dimension are in millimeter
- tolerance is ± 0.25 mm unless otherwise noted
- specifications are subject to change without notice
- version 1.0