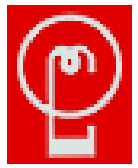


LED Street Luminaires

OSHINO LAMPS
Lighted Products since 1931



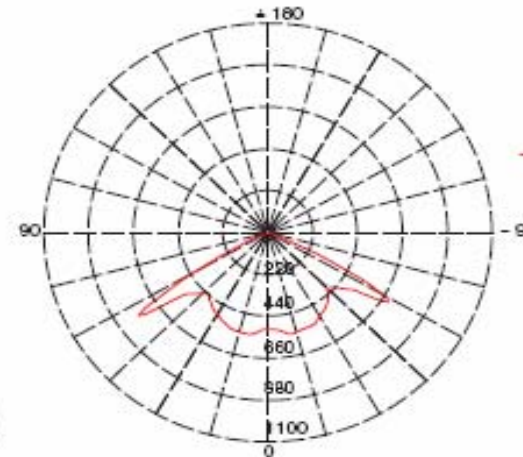


30 LED Streetlight Headpiece

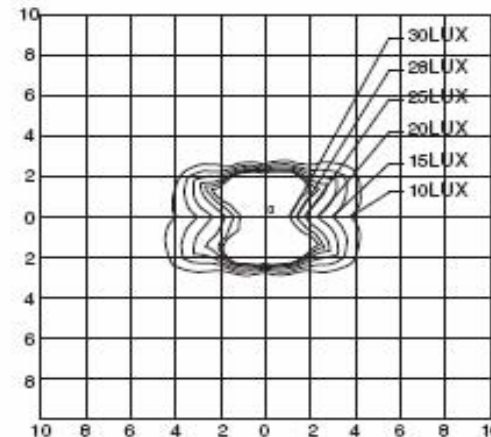
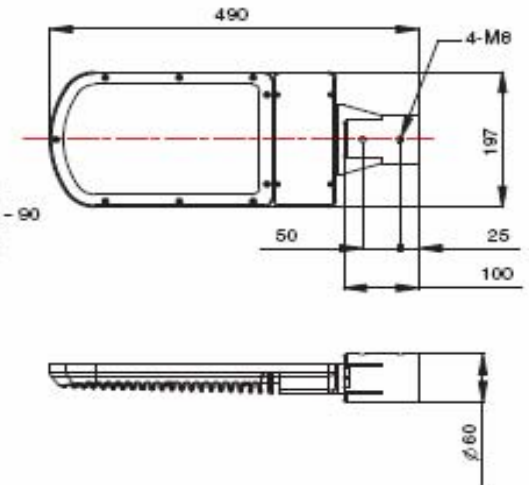


Light Source: 1W high power LEDs
 Color Temperature: 2000K ± 200K
 6500K ± 500K
 Luminous Flux: 1550lm
 Average Illumination: 17Lux/4m
 Area of Illumination: ± 6m
 Input Voltage, Frequency: 100-240V AC,
 50/60HZ
 LED Working Voltage: 24VDC
 Total LED Power : 38W
 Installation Tube Diameter: Ø50mm(Max)

CE UL IP65

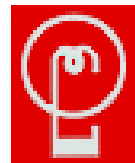


Luminous Intensity Distribution (Unit:cd)
 Max Luminous: 764.03cd



Plane iso-illuminance curve (Unit:lx)
 Height: 4m
 Max Illuminance: 35LUX

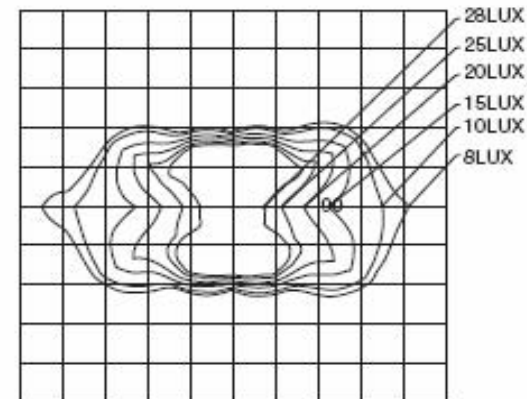
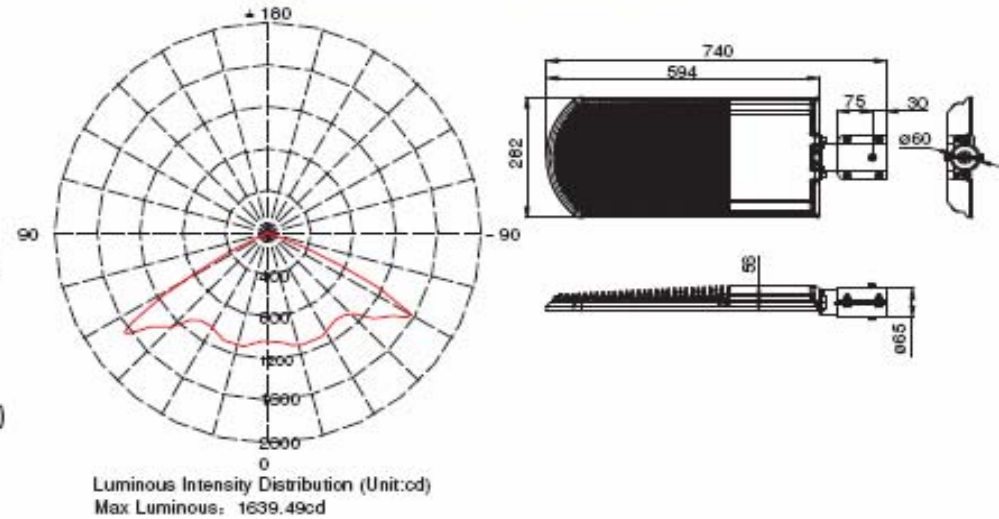
Oshino Lamps GmbH
 Tennenloher Strasse 19
 D - 90425 Nürnberg
 Tel: +49 911 93478-0
 www.oshino-lamps.de



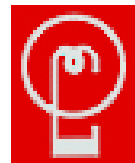
Light Source: 1W high power LEDs
 Color Temperature: 2000K ± 200K
 6500K ± 500K
 Luminous Flux: 3599lm
 Average Illumination: 19Lux/6m
 Area of Illumination: ± 9m
 Input Voltage, Frequency: 100-240V AC,
 50/60HZ
 LED Working Voltage: 24VDC
 Total LED Power : 78W
 Installation Tube Diameter: Ø60mm(Max)

CE IP65

60 LED Streetlight Headpiece



Oshino Lamps GmbH
 Tennenloher Strasse 19
 D - 90425 Nürnberg
 Tel: +49 911 93478-0
 www.oshino-lamps.de

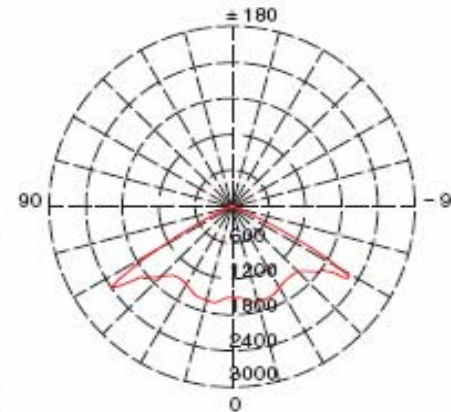


90 LED Streetlight Headpiece

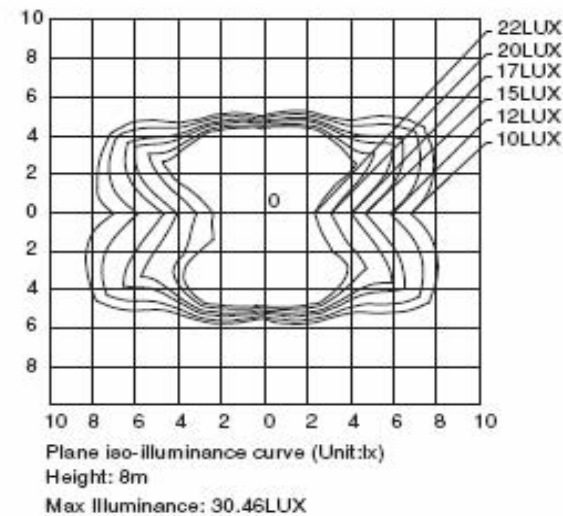
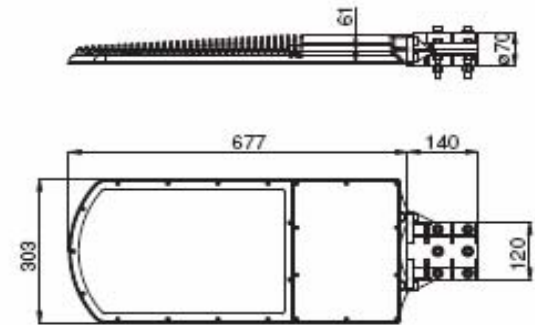


Light Source: 1W high power LEDs
 Color Temperature: 2000K \pm 200K
 6500K \pm 500K
 Luminous Flux: 4225lm
 Average Illumination: 16Lux/8m
 Area of Illumination: \pm 12m
 Input Voltage, Frequency: 100-240V AC,
 50/60HZ
 LED Working Voltage: 24VDC
 Total LED Power : 118W
 Installation Tube Diameter: \varnothing 60mm(Max)

CE Ψ \blacklozenge \triangle \triangle IP65



Luminous Intensity Distribution (Unit:cd)
 Max Luminous: 2361.94cd



Plane iso-illuminance curve (Unit:lx)
 Height: 8m
 Max Illuminance: 30.46LUX

Oshino Lamps GmbH
 Tennenloher Strasse 19
 D - 90425 Nürnberg
 Tel: +49 911 93478-0
 www.oshino-lamps.de

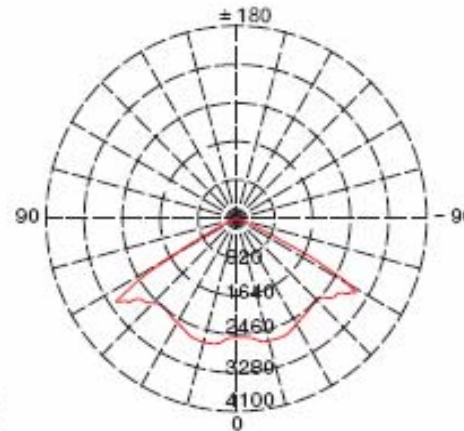


120 LED Streetlight Headpiece

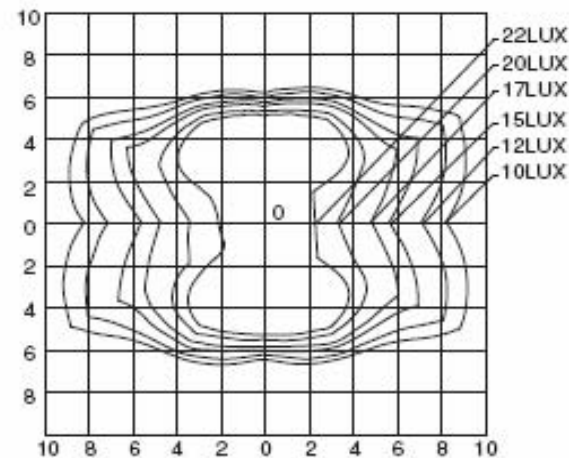
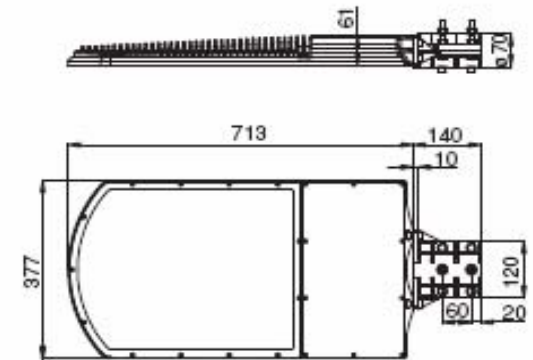


Light Source: 1W high power LEDs
 Color Temperature: 2000K ± 200K
 6500K ± 500K
 Luminous Flux: 6075lm
 Average Illumination: 15Lux/10m
 Area of Illumination: ± 15m
 Input Voltage, Frequency: 100-240V AC,
 50/60HZ
 LED Working Voltage: 24VDC
 Total LED Power : 155W
 Installation Tube Diameter: Ø60mm(Max)

CE UL IP65



Luminous Intensity Distribution (Unit:cd)
 Max Luminous: 2996.78cd



Plane illumination curve (Unit:lx)
 Height: 10m
 Max Illuminance: 29.92LUX

Oshino Lamps GmbH
 Tennenloher Strasse 19
 D - 90425 Nürnberg
 Tel: +49 911 93478-0
 www.oshino-lamps.de

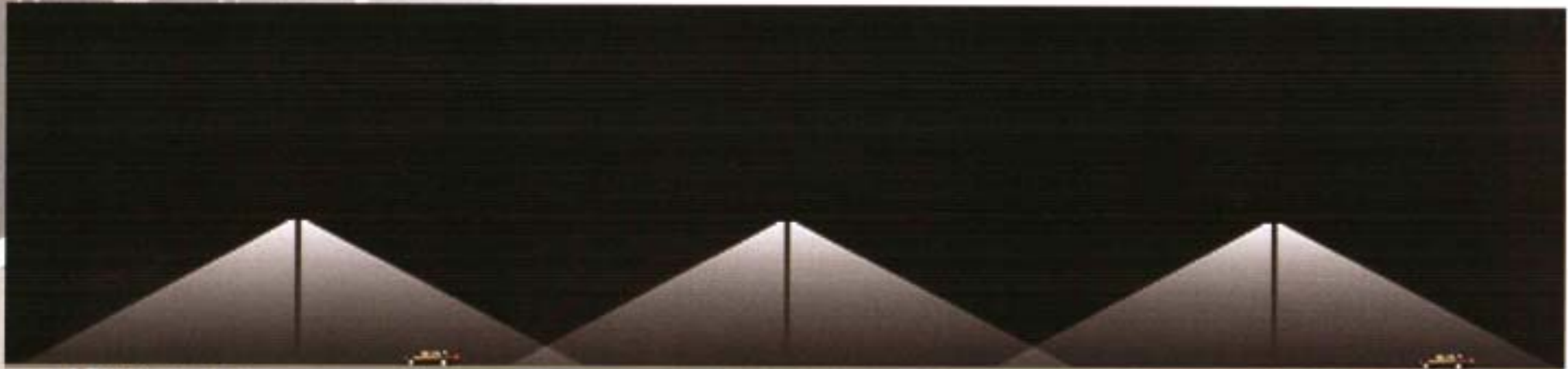


Average luminance of LED Street Light (with Reflector Cup) Single-side Disposal Light

Installation Height	30 LED Street Light Average illumination / Uniformity	60 LED Street Light Average illumination / Uniformity	90 LED Street Light Average illumination / Uniformity	120 LED Street Light Average illumination / Uniformity	Pole Distance	Width of Street
Luminous Flux	1550LM	3599 LM	4225 LM	6075 LM		
4m	17 LUX/0.28	35 LUX/0.26			12m	Two-way Road (7m)
5m	13LUX/0.38	26 LUX/0.36			15m	
6m	8.92LUX/0.37	19LUX/0.43	27LUX/0.39	40 LUX/0.33	18m	
7m		14 LUX/0.49	20LUX/0.44	30LUX/0.37	21m	
8m		11LUX/0.54	16 LUX/0.5	23 LUX/0.44	24m	
9m		8.55LUX/0.54	12 LUX/0.5	19LUX/0.47	27m	
10m		6.93 LUX/0.60	10 LUX/0.56	15 LUX/0.48	30m	
11m			8.21 LUX/0.56	13LUX/0.5	33m	
12m			6.82 LUX/0.57	10 LUX/0.52	36m	



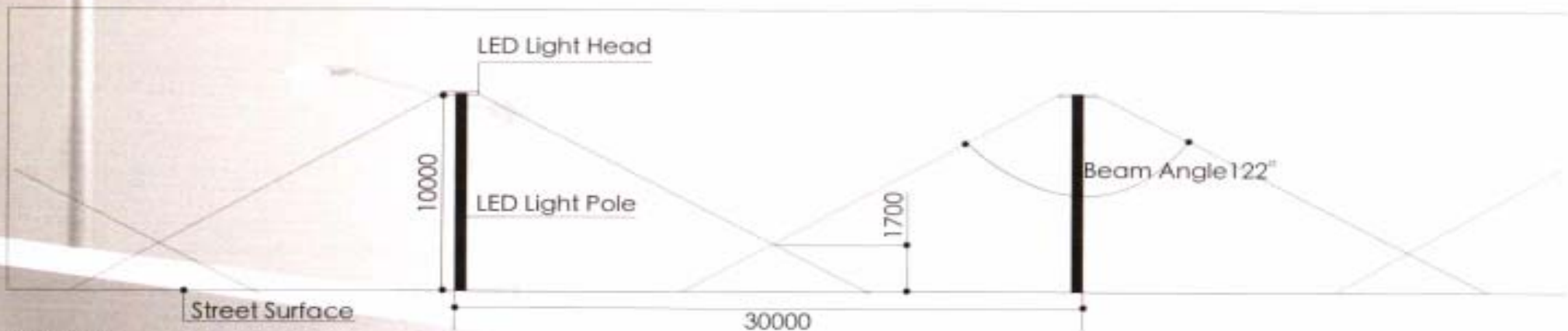
Side Illumination Distribute Sketch Of The 120 LED Street Light On Standard Street Surface



Uniformity:0.48

Central Illumination:29.92 lux

Average illumination:15 lux



Unit:mm

Oshino Lamps GmbH

Tennenloher Strasse 19

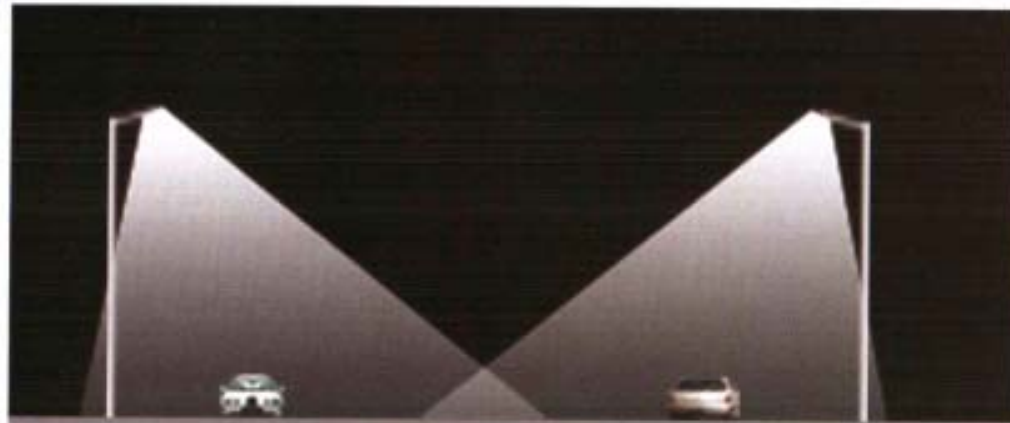
Tel: +49 911 93478-0

D - 90425 Nürnberg

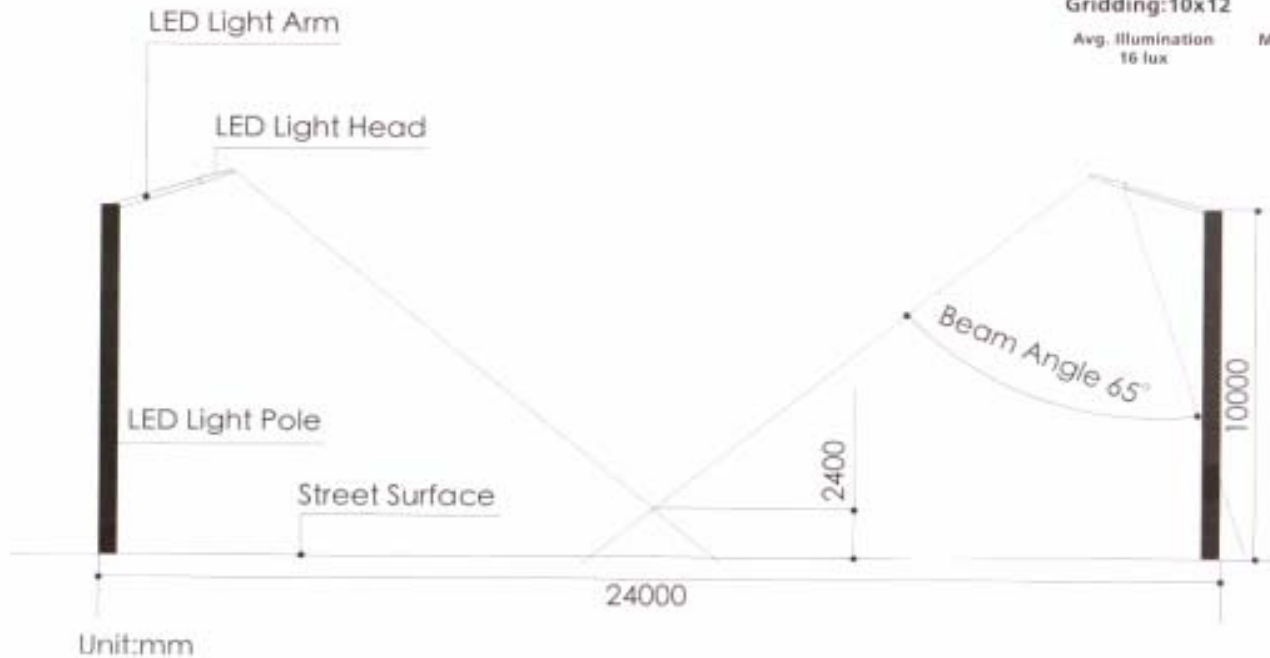
www.oshino-lamps.de



Section Illumination Distribute Of The 120 LED Street Light On Standard Street Surface



Uniformity:0.48 Central illumination:29.92 lux Average illumination:15 lux



120 LED 10m Average Illumination

39	26	18	8.06	7.00	8.33	7.90	17	25	38
26	22	13	8.88	9.22	10	9.89	13	21	27
20	17	12	9.26	11	10	10	12	17	21
18	16	13	9.96	10	10	10	14	16	18
20	17	13	13	11	10	13	14	18	20
23	20	14	13	9.90	9.83	13	14	20	23
23	20	14	13	9.83	9.90	13	14	20	23
20	18	14	13	10	11	13	13	17	20
18	16	14	10	10	10	9.96	13	16	18
21	17	12	10	10	11	9.26	12	17	20
27	21	13	9.89	10	9.22	8.88	13	22	26
38	25	17	7.90	8.33	7.00	8.06	18	26	39

Gridding:10x12

Avg. Illumination 16 lux Min. Illumination 7 lux Max. Illumination 39 lux Min. Illumination/ Avg. Illumination 0.45 lux Min. Illumination/ Max. Illumination 0.18 lux



Specification Comparison between LED Street Light & High Voltage Sodium Lamp

	30 LED Street Light	70W High Voltage Sodium Lamp	60 LED Street Light	100W High Voltage Sodium Lamp	90 LED Street Light	150W High Voltage Sodium Lamp	120 LED Street Light	250W High Voltage Sodium Lamp
Luminous Flux	1W LED 30	NAV-T 70W 1	1W LED 60	NAV-T 100W 1	1W LED 90	NAV-T 150W 1	1W LED 120	NAV-T 250W 1
Luminous Flux of one Light Source	70lm	5900lm	70lm	5900lm	70lm	17000lm	70lm	27000lm
Luminous Flux of the Whole Light	1550lm	1770lm	3013lm	3000lm	4225lm	5100lm	6071lm	8100lm
Average Illumination	17Lux/4M	17~18Lux/4M	19Lux/6M	18~19Lux/6M	16Lux/8M	16~17Lux/8M	15Lux/10M	18~20Lux/10M
Total Input Power	38W	105W	78W	150W	118W	225W	155W	375W
Electricity Consuming	152 kwh/ Year	421kwh/ Year	313kwh/ Year	602kwh/ Year	473kwh/ Year	903kwh/ Year	622kwh/ Year	1505kwh/ Year
Life Span	50000 Hours	30000 Hours	50000 Hours	30000 Hours	50000 Hours	30000 Hours	50000 Hours	30000 Hours

Oshino Lamps GmbH

Tennenloher Strasse 19

Tel: +49 911 93478-0

D - 90425 Nürnberg

www.oshino-lamps.de

KPensl, V1.0, 04/2008



Light is our life.

**For more detailed information on street luminaires
please contact**

OSHINO Lamps, Nürnberg: +49 911 93478-0

Karl Pensl

karl.pensl@oshino-lamps.de

Harald Präger

harald.praeger@oshino-lamps.de

Oshino Lamps GmbH

Tennenloher Strasse 19

Tel: +49 911 93478-0

D - 90425 Nürnberg

www.oshino-lamps.de

KPensl, V1.0, 04/2008